

## 300mA High PSRR Low Dropout Voltage Regulator

### General Description

The iD9349B is a 300mA low dropout and low noise linear regulator with high ripple rejection ratio and fast turn-on time. It has fixed output voltage ranging from 1.0V to 3.3V.

The iD9349B includes a voltage reference unit, an error amplifier, resistor net for voltage setting, a current limit circuit.

These ICs perform with low dropout voltage. The iD9349B works well with low ESR ceramic capacitors, suitable for portable RF and wireless battery-powered applications with stringent space requirements and demanding performance. It also offers ultra low noise output and has low quiescent current.

Other voltage outputs may be available. For further details, please contact an iDesyn sales or distributor.

### Ordering Information

iD9349B -         

Package:  
A30:SOT-23-3  
A50:SOT-23-5  
C40:SC-82  
C50:SC70  
FA4:UDFN-4L

Packing  
R: Tape and Reel

Output Voltage	Voltage Code
1.0	10
1.1	11
1.2	12
1.5	15
1.8	18
2.5	25
2.8	28
3.0	30
3.1	31
3.3	33

### Features

- Ultra-Low-Noise Application
- Wide 2.5V to 6V Operating Range
- Quick Start-up
- Current Limiting Protection
- Dropout Voltage: 220mV @ 200mA
- High Ripple Rejection 75dB@1kHz
- Standby Current Less 1μA
- Low Supply Current: 35μA

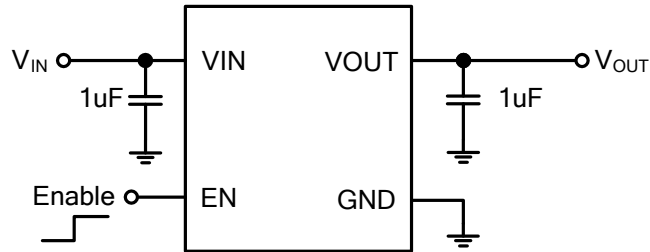
### Applications

- Battery-Powered Equipment
- Portable Instruments
- Digital Camera
- WLAN Communication
- Hand-Held Instruments

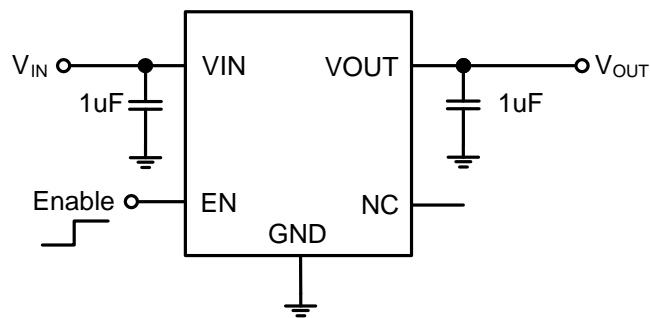
### Marking Information

For marking information, please contact our sales representative directly or through distributor around your location.

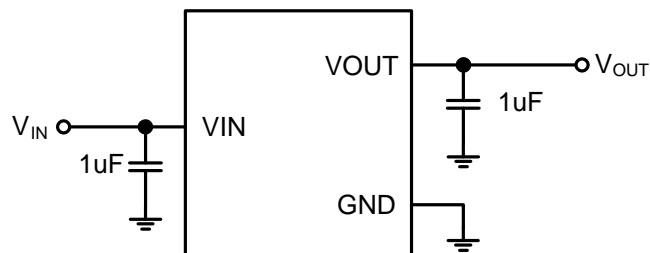
**Typical Application Circuit**



**Figure 1. SC-82/UDFN-4L Package**



**Figure 2. SC-70/SOT-23-5 Package**



**Figure 3. SOT-23-3 Package**