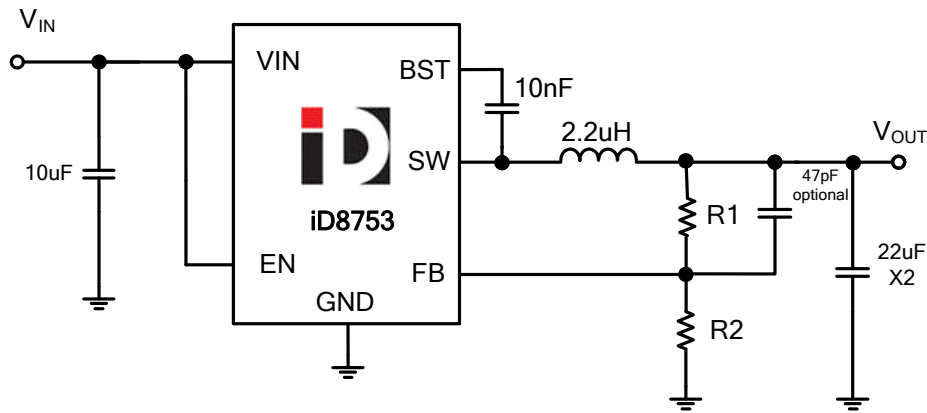




### Typical Application Circuit



#### Absolute Maximum Ratings

$V_{IN}$ , SW, EN	-0.3V to 19V
BST Voltage	-0.3V to SW + 6V
FB Voltage	-0.3V to +6V
Power Dissipation, $P_D$ @ $T_A=25^\circ\text{C}$	
SOT563	0.96W
Thermal Resistance, $\theta_{JA}$	
SOT563	130°C/W
Thermal Resistance, $\theta_{JC}$	
SOT563	60°C/W
Lead Temperature	260°C
Storage Temperature	-55°C to 150°C
ESD HBM (Human Body Mode)	2KV
ESD MM (Machine Mode)	200V

#### Recommended Operating Conditions

Supply Voltage $V_{IN}$	4.5V to 19V
Maximum Output Voltage $V_{OUT}$	6.0V
Junction Temperature	-40°C to 125°C
Ambient Operating Temperatures	-40°C to 85°C