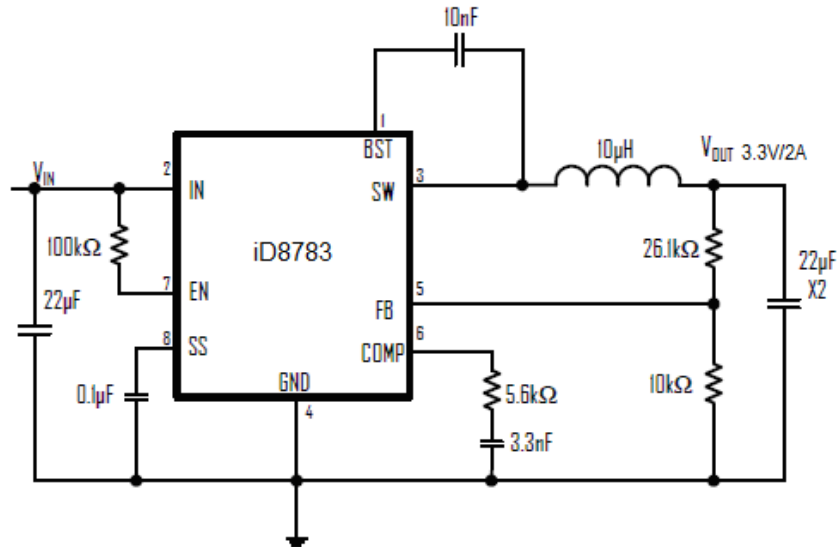


Typical Application Circuit (Adjustable Operation)



Absolute Maximum Ratings (Note 1)

| | |
|---|------------------------|
| IN Voltage | -0.3V to 20V |
| SW, EN Voltage | -0.3V to $V_{IN}+0.3V$ |
| BST Voltage | -0.3V to $SW+6V$ |
| FB Voltage | -0.3V to 6V |
| Power Dissipation, P_D @ $T_A=25^\circ C$ | |
| SOP-8 | 625mW |
| Thermal Resistance, θ_{ja} | |
| SOP-8 | 160°C/W |
| Lead Temperature | 260°C |
| Storage Temperature | -65°C to 150°C |
| ESD Susceptibility | |
| HBM (Human Body Mode) | 2kV |
| MM (Machine Mode) | 200V |

Recommended Operating Conditions

| | |
|-------------------------------|----------------|
| Input Voltage V_{IN} | 4.5V to 18V |
| EN Input Voltage | 0V to V_{IN} |
| Junction Temperature | -40°C to 125°C |
| Ambient Operating Temperature | -40°C to 85°C |