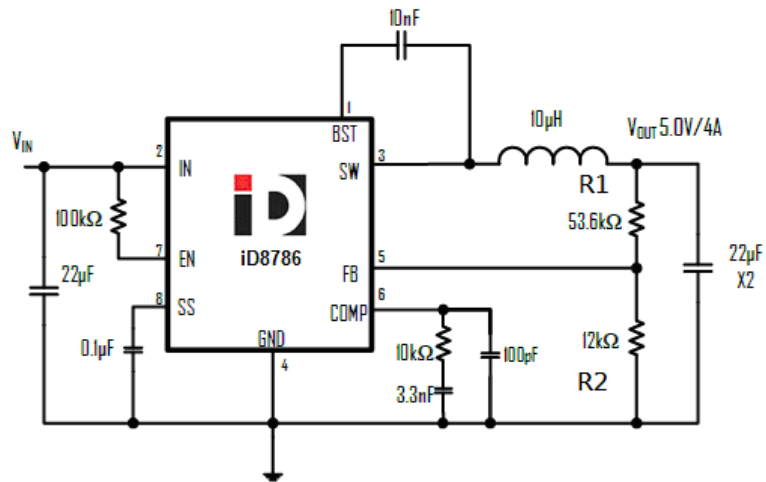




### Typical Application Circuit (Adjustable Operation)



#### Absolute Maximum Ratings (Note 1)

IN Voltage	-0.3V to 20V
SW, EN Voltage	-0.3V to $V_{IN}+0.3V$
BST Voltage	-0.3V to $SW+6V$
FB Voltage	-0.3V to 6V
Power Dissipation, $P_D$ @ $T_A=25^\circ C$	
PSOP-8	1.33W
Thermal Resistance, $\theta_{ja}$	
PSOP-8	75°C/W
Lead Temperature	260°C
Storage Temperature	-55°C to 150°C
ESD Susceptibility	
HBM (Human Body Mode)	2kV
MM (Machine Mode)	200V

#### Recommended Operating Conditions

Input Voltage $V_{IN}$	4.2V to 18V
EN Input Voltage	0V to $V_{IN}$
Junction Temperature	-40°C to 125°C
Ambient Operating Temperature	-40°C to 85°C